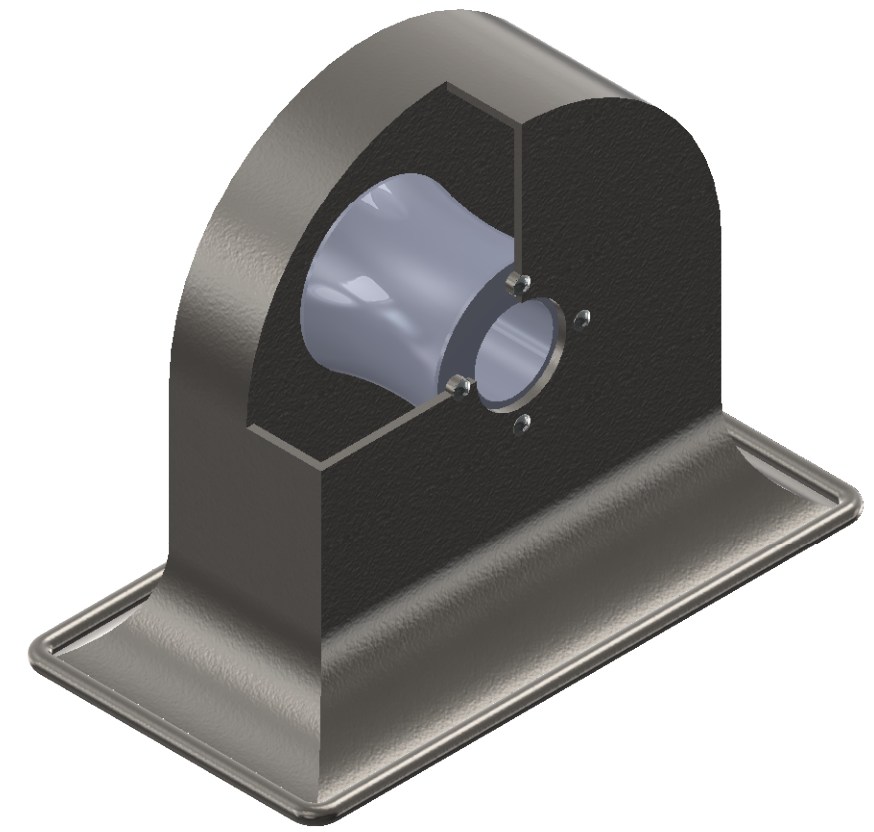
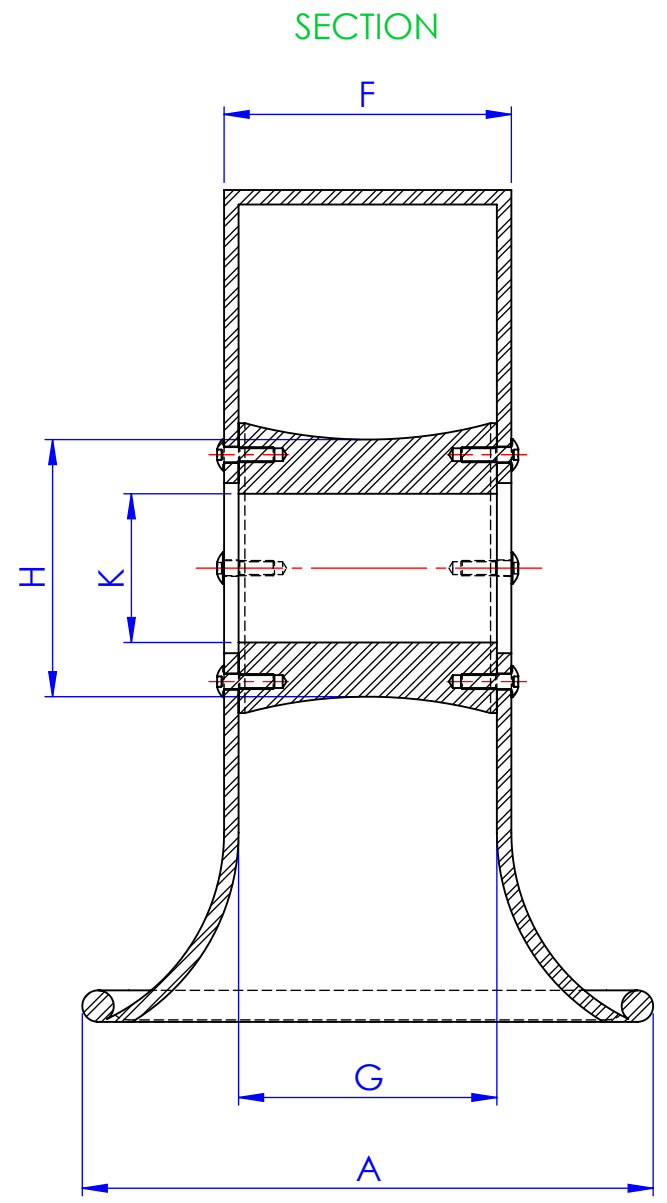
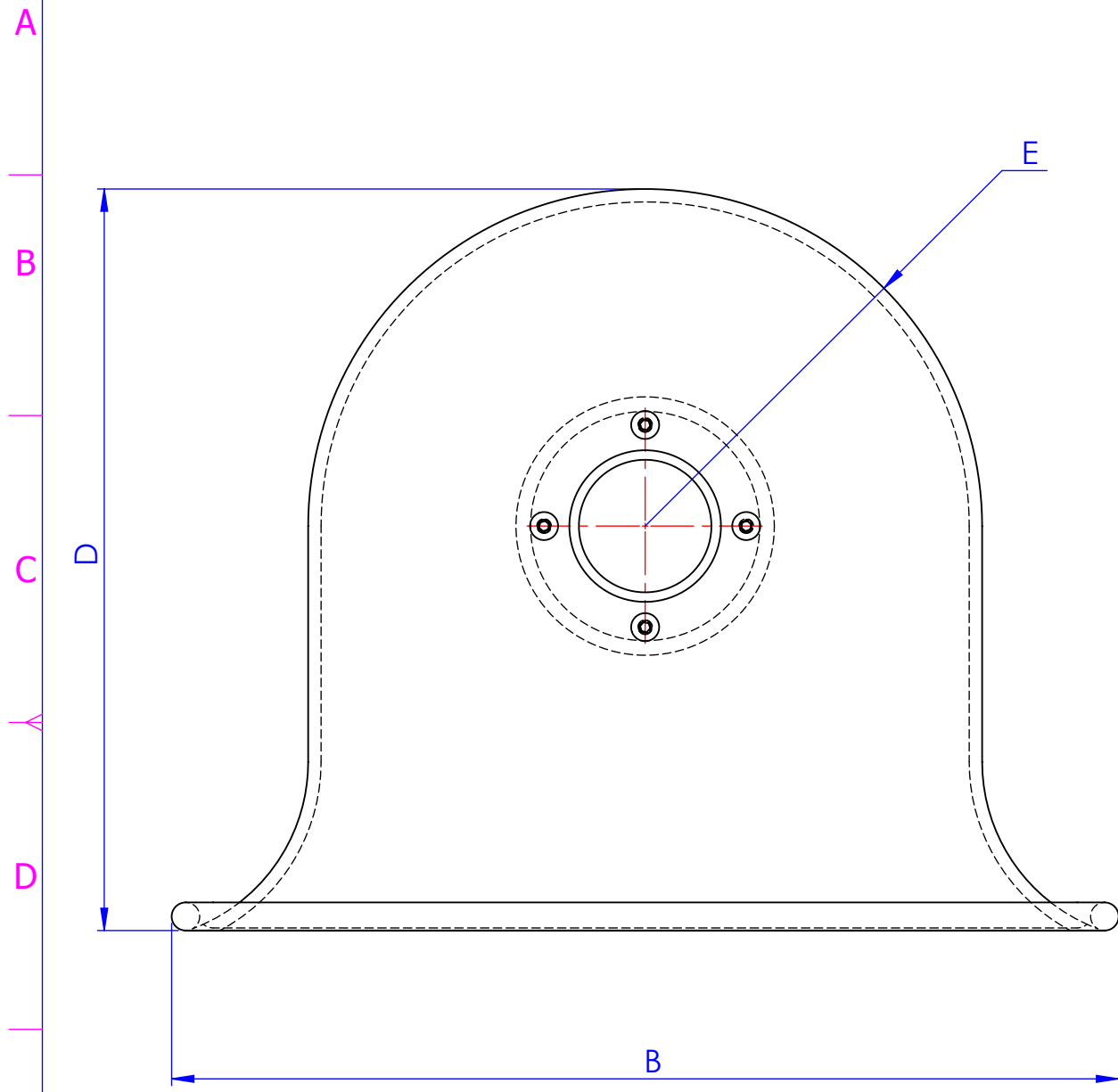


REV NO:	REVISION NOTE:	DATE:	DRAWN:	CHECKED:
001	FIRST ISSUE FOR QUOTATION	22/09/2014	C.LEE	M.BROOKS
002	---	---	---	---



Tolerance: 5%											
Suitable For Fiber Rope									Product Code		
Rope Size Inch	A mm	B mm	D mm	E mm	F mm	G mm	H mm	K mm	Galvanised Body & Roller	St/Steel Body & Roller	Galvanised Body & St/Steel Roller
10" - 12"	400	640	480	195	166	147	175	86	EBM1012GBGR	EBM1012SBR	EBM1012GBSR
15" - 16"	440	746	608	248	193	172	196	105	EBM1416GBGR	EBM1416SBR	EBM1416GBSR
18" - 21"	454	844	660	300	228	205	204	118	EBM1821GBGR	EBM1821SBR	EBM1821GBSR
22" - 21"	450	1000	758	400	266	245	290	135	EBM2224GBGR	EBM2224SBR	EBM2224GBSR

NOTE: For connecting to special shackle, dimension K can be changed on request

THIS DRAWING IS FOR INFORMATION ONLY © 2015 OFFSPRING INTERNATIONAL. ALL RIGHTS OF REPRODUCTION RESERVED					
DRAWN BY: COLIN	CHECKED BY: MARK	CLIENT APPROVED: ---	DRG NO: OIL-04000002	DATE: 14/12/2015	SCALE: NTS
 OFFSPRING INTERNATIONAL LTD UNIT 8, CASTLE COURT 2 CASTLEGATE WAY DUDLEY, WEST MIDLANDS DY1 4RH. UK		DRAWING TITLE: BELLMOUTH THIMBLE			
		TEL: +44 (0)1384 453880 / FAX: +44 (0)1384 453888 EMAIL: mail@offspringinternational.com			SHEET: 1/1