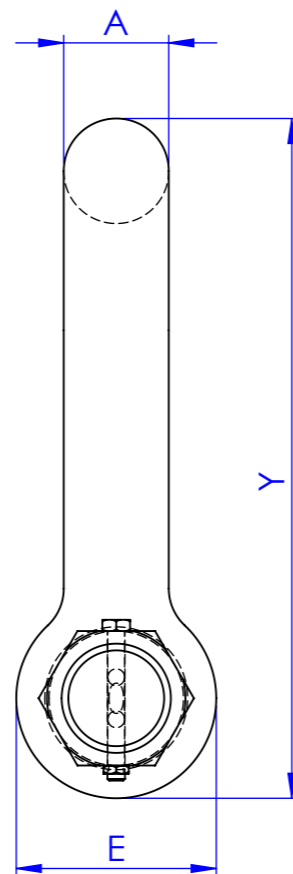
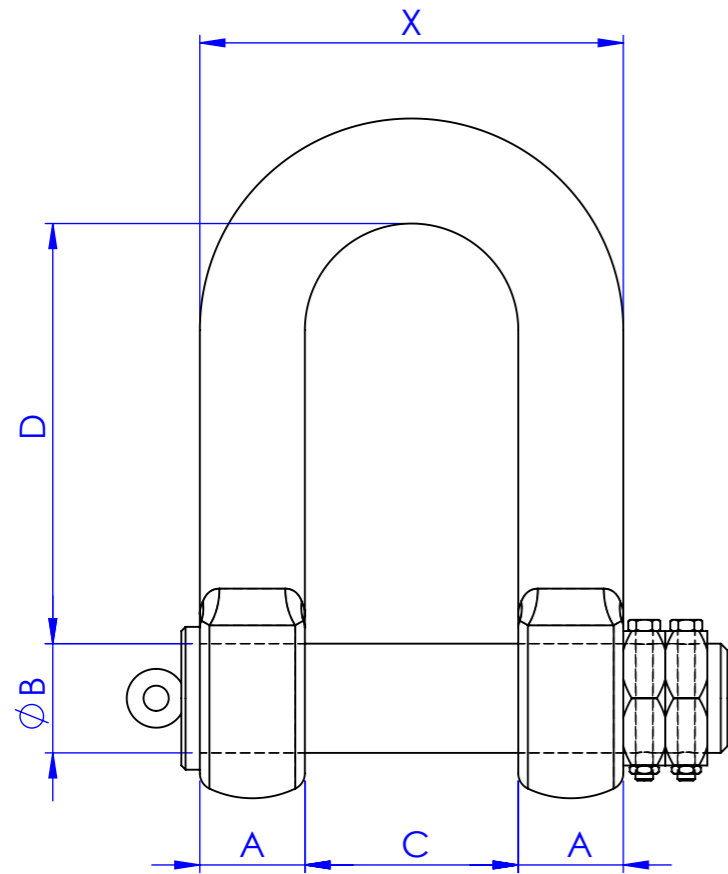
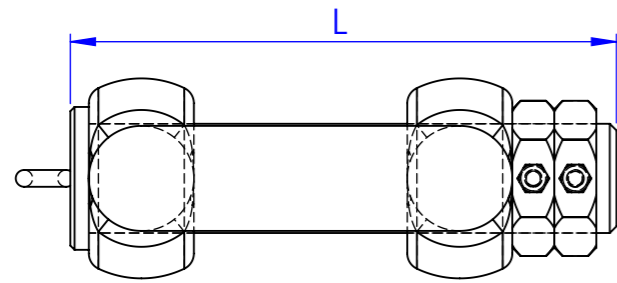


REV NO:	REVISION NOTE:	DATE:	DRAWN:	CHECKED:
001	FIRST ISSUE FOR QUOTATION	09/12/2014	C.LEE	M.BROOKS
002	---	---	---	---



NOTE: Ensure that the load is centralized on the pin.
If there is too much space in the jaw gap,
we advise to use washers.

Shackles from 34 ton & 60 ton are not supplied with an eyebolt.

Non-Standard sizes or custom products available on request.

Material	Forged alloy steel quenched & tempered
Safety factor	5 Times
Finish	Galvanised with stainless steel cotterpins
Temperature range	-40°C up to +200°C; Polar Rated
Standard certification	Certificate of Conformity
	3.1 material certificate EN 10204

THIS DRAWING IS FOR INFORMATION ONLY © 2015 OFFSPRING INTERNATIONAL. ALL RIGHTS OF REPRODUCTION RESERVED

DRAWN BY: COLIN	CHECKED BY: MARK	CLIENT APPROVED: ---	DRG NO: OIL-04000005	DATE: 09/12/2015	SCALE: NTS
 OFFSPRING INTERNATIONAL LTD UNIT 8, CASTLE COURT 2 CASTLEGATE WAY DUDLEY, WEST MIDLANDS DY1 4RH. UK		DRAWING TITLE: HEAVY DUTY DOUBLE NUT SHACKLE			
		TEL: +44 (0)1384 453880 / FAX: +44 (0)1384 453888 EMAIL: mail@offspringinternational.com			SHEET: 1/1

Tolerance: Inside length ± 7.5%, all other forged parts ± 5%, machined Parts ± 1mm

WLL Ton	MBL ton	Thimble size inch	A mm	ØB mm	C mm	D mm	E mm	L mm	X mm	Y mm	Weight Kg	Product code
34	170	8½ - 10	50	65	140	285	115	345	240	425	23	SHS34G
60	300	11 - 13	70	76	160	360	165	430	315	541	59	SHS60G
85	425	14 - 15	80	90	220	390	178	505	380	604	85	SHS85G
110	550	16 - 18	90	100	254	430	210	575	434	675	122	SHS110G
130	650	19 - 21	100	114	290	480	235	620	480	755	170	SHS130G
200	1000	19 - 21	125	133	300	600	265	695	550	924	282	SHS200G
225	1125	22 - 24	130	146	333	720	305	735	593	1075	349	SHS225G
Special heavy duty double nut shackles												
200	498	18	105	120	254	500	228	610	464	779	205	SHS200G18
200	498	21	115	125	280	520	238	655	510	797	244	SHS200G21
250	612	15	115	125	220	400	238	595	450	697	203	SHS250G15
250	612	18	125	130	254	500	238	650	504	809	248	SHS250G18
250	612	21	125	130	280	480	260	675	530	800	274	SHS250G21