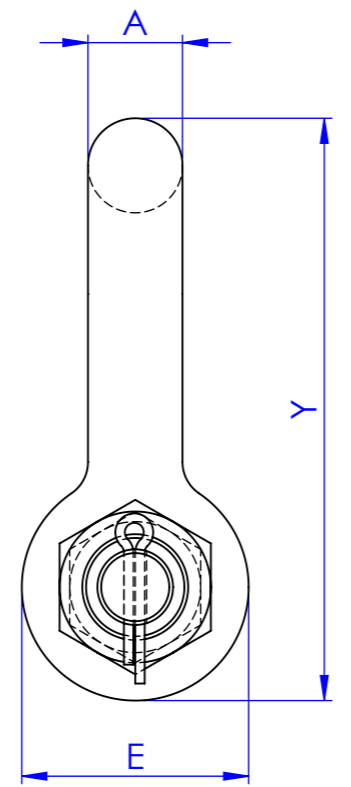
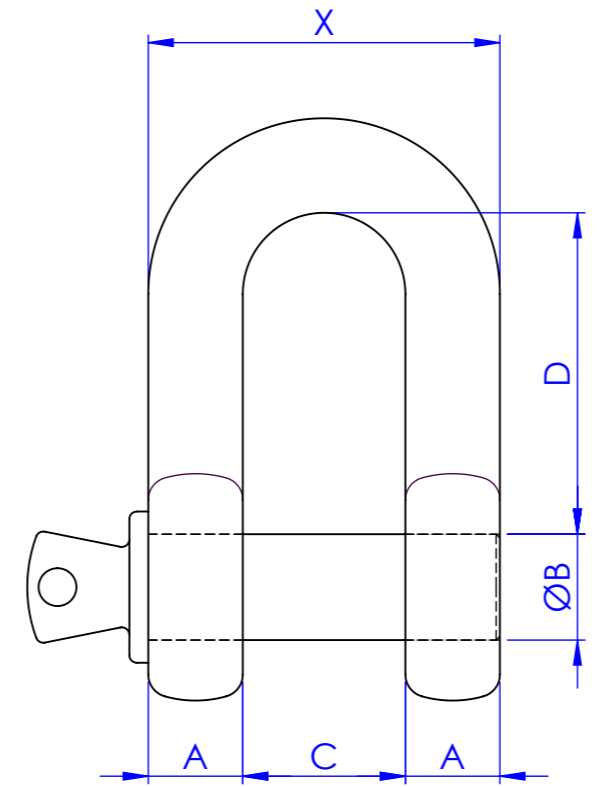


DEE TYPE SAFETY PIN




DEE TYPE SCREW PIN



TOLERANCE: INSIDE LENGTH ± 7.5%, ALL OTHER FORGED PARTS ± 5%, MACHINED PARTS ± 1mm

WLL ton	A mm	ØB mm	C mm	D mm	E mm	X mm	Y mm	Weight Kg	Product Code: Safety Pin	Product Code: Screw Pin
0.33	5	6	10	19	12	22	33	0.02	SDS0.33G	SSD0.33G
0.5	7	8	12	22	17	31	42	0.06	SDS0.5G	SSD0.5G
0.75	9	10	14	26	20	38	50	0.11	SDS0.75G	SSD0.75G
1	10	11	17	32	23	43	59	0.16	SDS1G	SSD1G
1.5	11	13	19	37	27	49	68	0.22	SDS1.5G	SSD1.5G
2	14	16	22	43	34	61	81	0.42	SDS2G	SSD2G
3.25	16	19	27	51	40	72	97	0.74	SDS3.25G	SSD3.25G
4.75	19	22	31	59	46	84	112	1.2	SDS4.75G	SSD4.75G
6.5	22	25	36	73	52	96	134	1.8	SDS6.5G	SSD6.5G
8.5	25	28	43	85	59	109	154	2.6	SDS8.5G	SSD8.5G
9.5	28	32	47	90	66	122	167	3.7	SDSS9.5G	SSD9.5G
12	32	35	51	94	72	136	180	4.9	SDS12G	SSD12G
13.5	35	38	57	115	80	150	209	6.5	SDS13.5G	SSD13.5G
17	38	42	60	127	88	164	230	8.2	SDS17G	SSD17G
25	45	50	74	149	103	193	271	14	SDS25G	SSD25G
35	50	57	83	171	111	211	305	20	SDS35G	SSD35G
42.5	57	65	95	190	130	244	345	28	SDS42.5G	SSD42.5G
55	65	70	105	203	145	275	376	40	SDS55G	SSD55G
85	75	83	127	229	162	312	427	62	SDS85G	SSD85G

Material	Forged high tensile steel quenched & tempered
Safety factor	6 Times
Standards	Generally according to US Federal Spec RR-C-271
Finish	Galvanised
Temperature range	-20°C up to +200°C
Standard certification	Certificate of Conformity 3.1 material certificate EN 10204



OFFSPRING INTERNATIONAL LIMITED
UNIT 8, CASTLE COURT2
CASTLEGATE WAY
DUDLEY, WEST MIDLANDS
DY1 4RH. UK

DO NOT SCALE DRAWING

REVISION 01

REVISION NOTES:
01: FIRST ISSUE FOR QUOTATION
02: XXXX
03: XXXX

DRAWING TITLE:
HIGH ALLOY DEE SHACKLES

DWG NO. **OIL-04000010**

SCALE: NTS

SHEET 1 OF 1

NAME	SIGNATURE	DATE	TEL:	+44 (0) 1384 453880
DRAWN	C.LEE	23/03/2016	FAX:	+44 (0) 1384 453888
CHK'D	M.BROOKS	XXXX	EMAIL:	mail@offspringinternational.com
APPV'D	M.BROOKS	XXXX	THIS DRAWING IS FOR INFORMATION ONLY	
MFG	XXXX	XXXX	MATERIAL:	
Q.A	XXXX	XXXX	FORGED HIGH TENSILE STEEL	

WEIGHT: SEE CHART