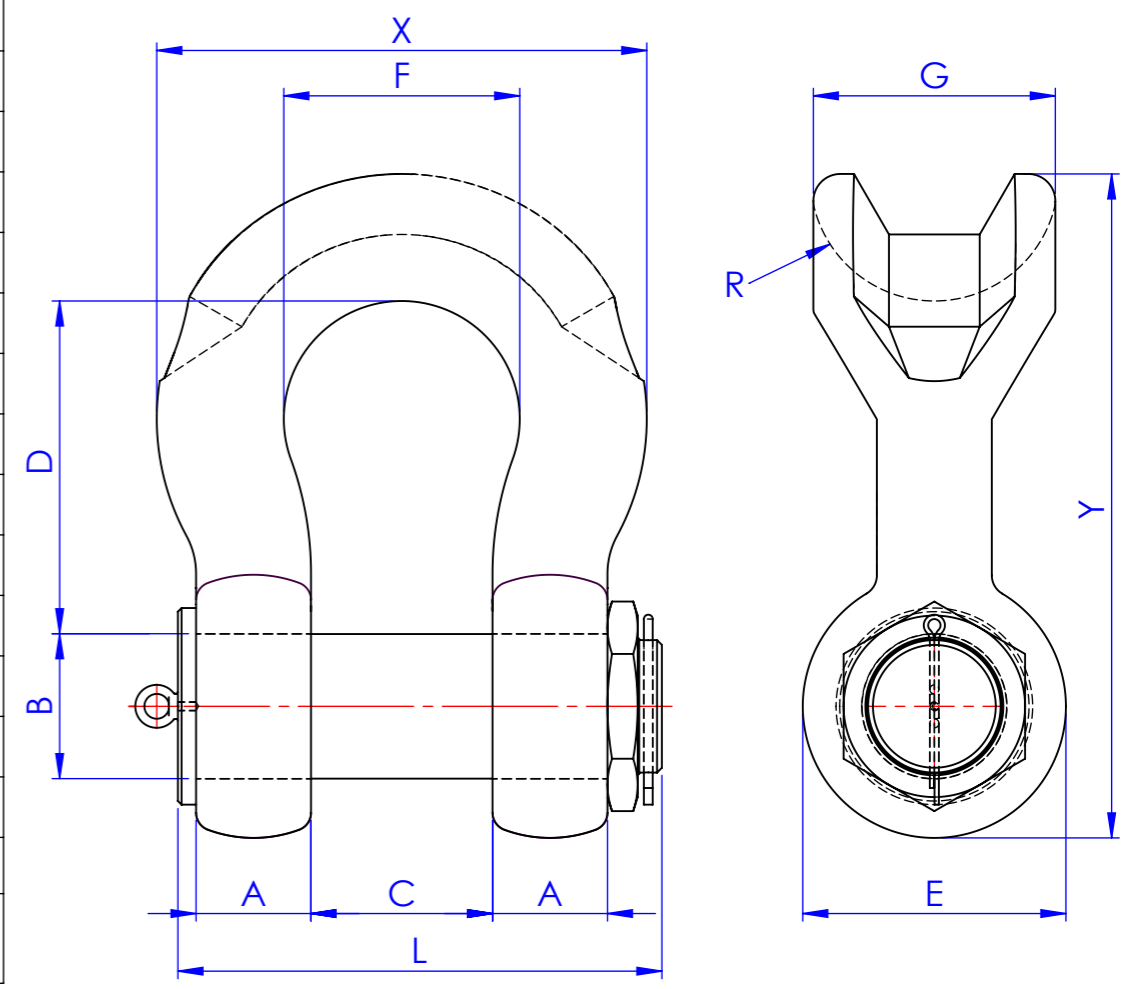
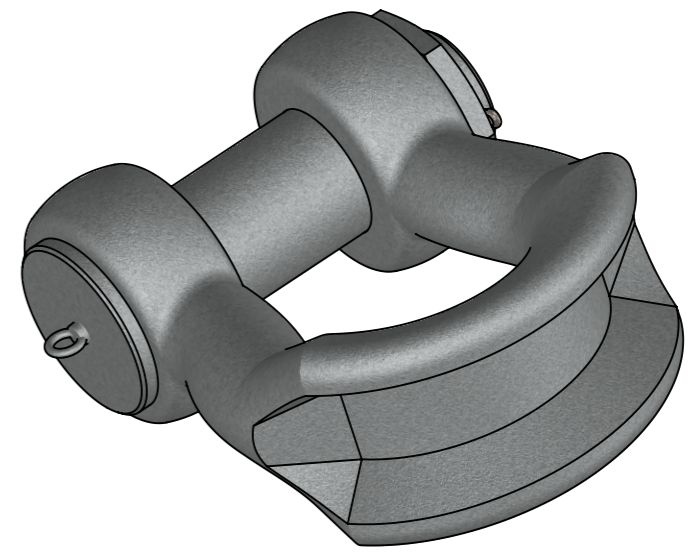


	8	7	6	5	4	3	2	1						
F	WLL ton	A mm	B mm	C mm	D mm	E mm	F mm	G mm	L mm	R mm	X mm	Y mm	Weight Kg	Product Code:
	30	35	44	65	180	90	128	80	202	45	204	292	14	SPSWB30
	40	45	51	84	200	109	140	97	252	53	232	331	21	SPSWB40
	55	65	56	95	250	130	160	110	300	55	288	400	33	SPSWB55
	75	75	70	110	300	150	185	120	345	60	334	485	53	SPSWB75
	125	85	80	140	370	165	220	150	395	80	390	583	84	SPSWB125
	150	90	95	150	400	200	250	170	420	90	429	638	115	SPSWB150
	200	105	105	160	480	225	275	205	470	110	484	755	183	SPSWB200
	250	120	120	180	550	240	300	230	520	125	540	850	255	SPSWB250
	300	140	134	195	600	280	350	265	580	140	628	947	368	SPSWB300
	400	160	160	230	620	330	370	320	655	170	689	1035	571	SPSWB400
	500	170	180	265	680	350	440	340	710	180	779	1125	719	SPSWB500
	600	180	200	290	720	405	490	370	795	190	847	1213	960	SPSWB600
	700	210	215	320	780	465	540	400	880	210	957	1330	1350	SPSWB700
	800	220	230	345	800	465	555	420	925	220	990	1358	1400	SPSWB800
	900	235	250	370	850	480	585	440	1010	235	1060	1450	2100	SPSWB900
	1000	235	270	400	850	530	615	460	1050	240	1091	1490	2200	SPSWB1000
	1250	275	300	455	960	570	645	560	1210	285	1205	1695	2800	SPSWB1250
	1550	275	320	485	980	610	680	580	1240	290	1240	1745	3300	SPSWB1550
	1750	310	360	500	1020	660	700	600	1325	300	1346	1960	4700	SPSWB1750
	2000	320	385	520	1140	680	720	620	1365	310	1368	2012	4800	SPSWB2000
	2500	330	400	520	1140	740	730	635	1380	320	1383	2065	5400	SPSWB2500
	3000	340	420	530	1140	760	740	650	1410	330	1413	2080	5800	SPSWB3000
	3500	350	440	560	1140	790	750	670	1480	340	1480	2130	6800	SPSWB3500
	4000	360	460	550	1140	810	760	690	1510	350	1510	2140	7200	SPSWB4000

Shackles from 30 ton ≤ 125 ton are not supplied with an eyebolt
Tolerance: Inside length ± 7.5%, all other forged parts ± 5%, machined parts ± 1mm



Safety Factor : ≤ 2000 ton 5 times
>2000 ≤3000 ton 4.5 times
>3000 ton 4 times

Finish : Painted

Temperature Range : ≤40 ton - 20°C UP TO + 200°C
>40 ton - 40°C UP TO + 200°C; Polar Rated

Standard Certification : Certificate of Conformity
3.1 Material certificate EN 10204

Non-standard sizes or custom products available on request.

	OFFSPRING INTERNATIONAL LIMITED UNIT 8, CASTLE COURT2 CASTLEGATE WAY DUDLEY, WEST MIDLANDS DY1 4RH. UK				DO NOT SCALE DRAWING	REVISION 01
	<small>REVISION NOTES:</small> 01: FIRST ISSUE FOR QUOTATION 02: XXXX 03: XXXX				<small>DRAWING TITLE:</small> SLING PROTECTOR (WIDE BODY)	
<small>DRAWN</small> C.LEE <small>CHK'D</small> M.BROOKS <small>APPV'D</small> M.BROOKS <small>MFG</small> XXXX <small>Q.A</small> XXXX	<small>SIGNATURE</small> <small>DATE</small> 23/03/2016 <small>TEL:</small> +44 (0) 1384 453880 <small>FAX:</small> +44 (0) 1384 453888 <small>EMAIL:</small> mail@offspringinternational.com <small>WEB:</small> www.offspringinternational.com	<small>THIS DRAWING IS FOR INFORMATION ONLY</small> <small>MATERIAL:</small> ALLOY STEEL QUENCHED AND TEMPERED		<small>DWG NO.</small> OIL-04000011	<small>SCALE:</small> N.T.S <small>SHEET 1 OF 1</small>	<small>A3</small>

© 2015 Offspring International. All rights of reproduction reserved