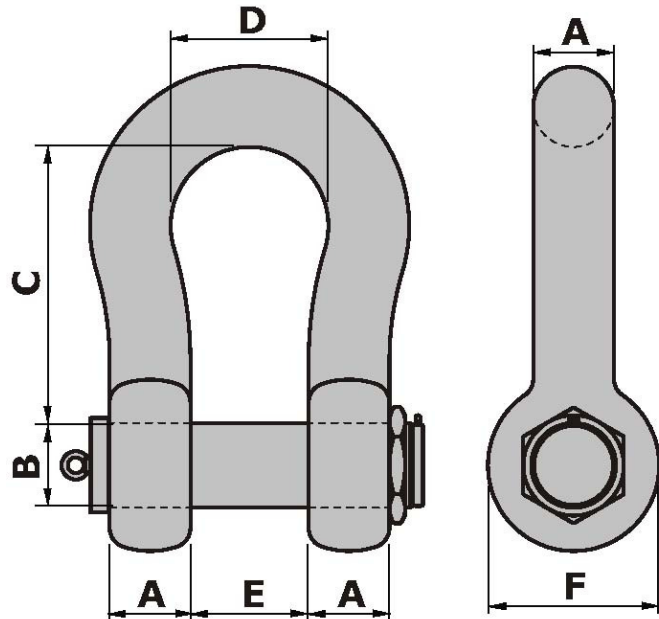




## BOW SAFETY PIN SHACKLE



- Material : Up to and including 120T forged high tensile steel  
 Above 120T forged high alloy steel
- Safety Factor : 5 times [generally to US Federal Spec RR-C-271]
- Finish : Painted / Galvanised

SWL tons	A mm	B mm	C mm	D mm	E mm	F mm	Weight Kg
120	89	95	381	238	150	200	110
150	102	108	400	275	170	230	160
200	120	125	500	290	180	260	235
250	125	140	540	305	200	260	285
300	135	150	600	305	200	305	340
400	165	175	650	325	225	350	560
500	175	185	700	350	250	370	685
600	195	205	700	375	275	405	880
700	205	215	700	400	300	435	980
800	210	220	700	400	300	435	1100
900	220	230	700	420	320	465	1280
1000	230	240	700	420	340	480	1460

Tolerance 5%



**Offspring International Ltd**

Unit 8, Castle Court 2, Castlegate way, Dudley, West Midlands, DY1 4RH. UK  
 Tel: +44 1384 453880 / Fax: +44 1384 453888

Email: [mail@offspringinternational.com](mailto:mail@offspringinternational.com) / Web: [www.offspringinternational.com](http://www.offspringinternational.com)

*World-wide Sales Agents  
 for Deep Water Mooring  
 and Single Point Mooring*