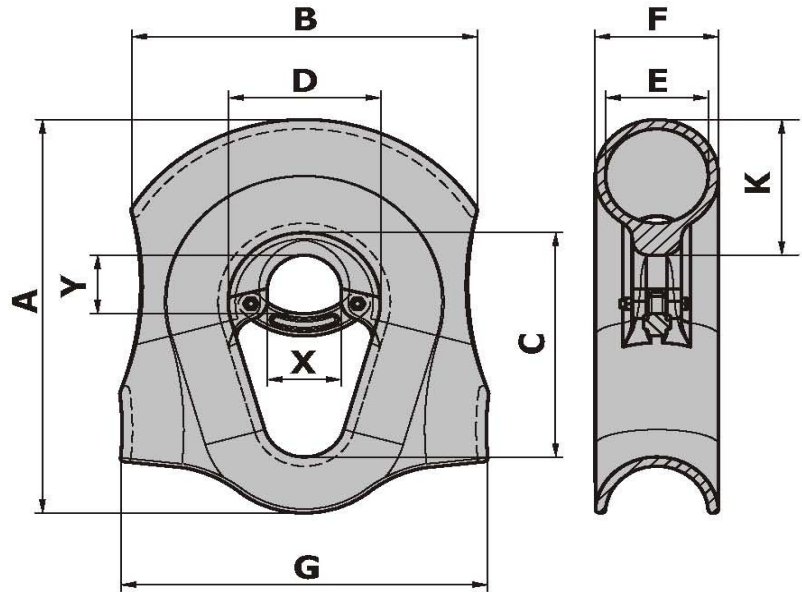




CAST SPM THIMBLE



Material: Cast Steel
 Stainless Steel

Finish: Galvanised (mild steel)
 Self coloured (stainless steel)
 Plastic coating on request

| Rope Size Inch | A mm | B mm | C mm | D mm | E mm | F mm | G mm | K mm | X mm | Y mm | Weight Kg |
|----------------|------|------|------|------|------|------|------|------|------|------|-----------|
| 11"-13" | 540 | 330 | 330 | 170 | 120 | 160 | 476 | 175 | 105 | 85 | 40 |
| 14"-15" | 655 | 480 | 367 | 252 | 150 | 183 | 607 | 200 | 116 | 124 | 78 |
| 16"-18" | 795 | 551 | 420 | 280 | 187 | 212 | 724 | 254 | 136 | 128 | 115 |
| 19"-21" | 940 | 665 | 497 | 335 | 215 | 267 | 875 | 309 | 150 | 180 | 296 |
| 22"-24" | 1052 | 715 | 650 | 420 | 250 | 300 | 895 | 362 | 180 | 200 | 385 |

Tolerance 5%



Offspring International Ltd
 Unit 8, Castle Court, Castlegate Way, Dudley, West Midlands, DY1 4RH. UK
 Tel: +44 1384 453880 / Fax: +44 1384 453888
 Email: mail@offspringinternational.com / Web: www.offspringinternational.com

World-wide Sales Agents for Deep Water Mooring and Single Point Mooring