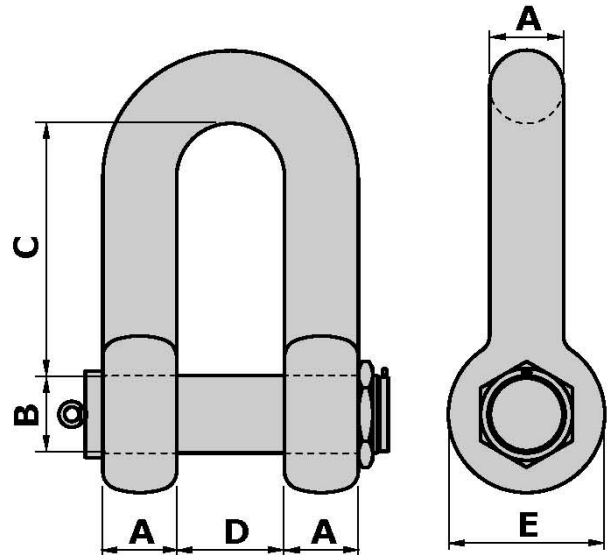
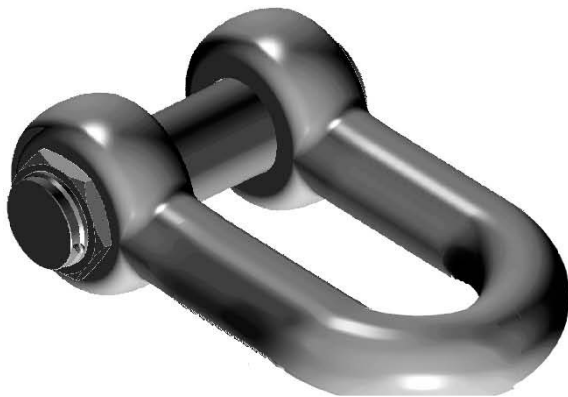




DEE SAFETY PIN SHACKLE



Material Forged high alloy steel
 Safety Factor 5 times
 Finish Painted

SWL tons	A mm	B mm	C mm	D mm	E mm	Weight Kg
120	89	95	381	150	200	100
150	89	95	310	130	190	89
150	102	108	400	170	230	143
175	100	110	360	150	220	130
200	120	125	500	180	260	227
250	130	140	455	195	280	268
300	140	150	490	205	300	332
350	150	160	520	220	320	403
375	160	170	550	235	340	484
400	170	180	585	250	360	576
500	180	190	615	265	380	678

Tolerance 5%



Offspring International Ltd
 Unit 8, Castle Court 2, Castlegate way, Dudley, West Midlands, DY1 4RH. UK
 Tel: +44 1384 453880 / Fax: +44 1384 453888
 Email: mail@offspringinternational.com / Web: www.offspringinternational.com

*World-wide Sales Agents
 for Deep Water Mooring
 and Single Point Mooring*