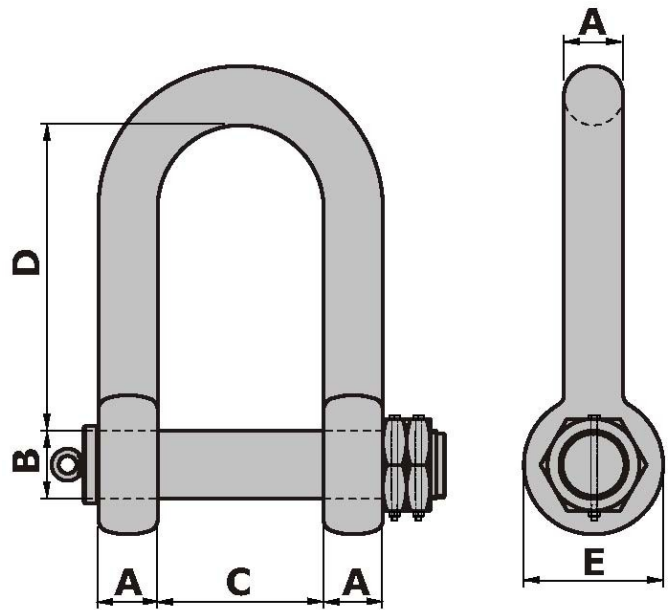




HEAVY DUTY DOUBLE NUT SHACKLE



Material: Forged High Alloy Steel

Finish: Galvanised / Painted

Thimble Size Inch	A mm	B mm	C mm	D mm	E mm	SWL tonnes	Proof Load tonnes	MBL tonnes	Weight Kg
11" - 13"	70	76	175	350	165	60	90	300	65
14" - 15"	80	90	220	390	178	85	127.5	425	87
16" - 18"	90	100	254	430	210	110	165	550	130
19" - 21"	100	114	280	480	235	130	195	650	194
22" - 23"	125	133	300	600	265	200	300	1000	354
24" - 27"	130	146	333	720	305	225	337.5	1125	410
18"	105	120	254	500	228	200	330	498	205
21"	115	125	280	500	238	200	330	498	250

Tolerance 5%

- Ensure that the load is in the centre of pin. If there is too much space in the jaw gap, we advise to use washers



Offspring International Ltd
 Unit 8, Castle Court, Castlegate Way, Dudley, West Midlands, DY1 4RH. UK
 Tel: +44 1384 453880 / Fax: +44 1384 453888
 Email: mail@offspringinternational.com / Web: www.offspringinternational.com

World-wide Sales Agents for Deep Water Mooring and Single Point Mooring