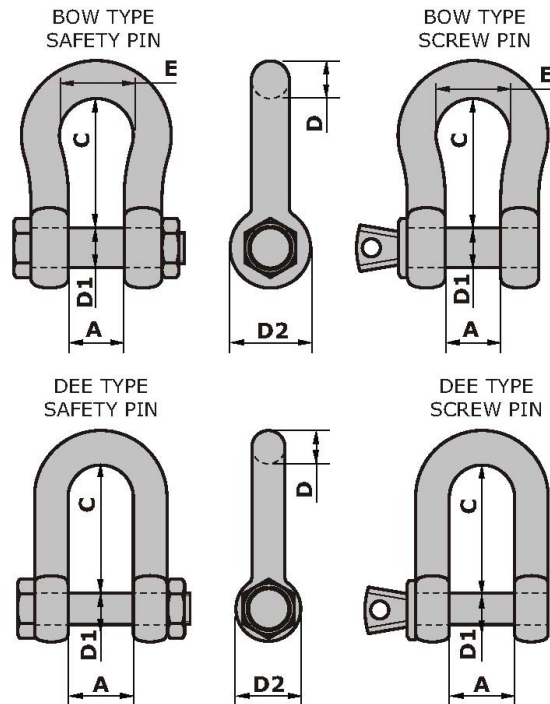




HIGH ALLOY SHACKLE



Material : Forged high tensile steel, quenched & tempered
 Safety Factor : 6 times
 Finish : Galvanised

WLL tons	D mm	D1 mm	A mm	C Dee mm	C Bow mm	E mm	D2 mm	Weight Screw pin kg	Weight Safety pin kg
6.5	22	25	36	73	84	58	53	1.5	1.7
8.5	25	28	43	85	95	68	60	2.2	2.5
9.5	28	32	47	90	108	74	67	3.1	3.4
12	32	35	51	94	119	83	74	4.3	4.5
13.5	35	38	57	115	132	89	80	5.5	6.1
17	38	42	60	127	146	98	89	7.4	7.6
25	45	50	74	149	178	126	104	13	13
35	50	57	83	171	197	138	119	18	18
55	65	70	105	203	260	180	145	38	35
85	75	83	127	229	330	190	163		53

Tolerance 5%



Offspring International Ltd

Unit 8, Castle Court 2, Castlegate Way, Dudley, West Midlands, DY1 4RH. UK.
 Tel: +44 1384 453880 / Fax: +44 1384 453888
 Email: mail@offspringinternational.com / Web: www.offspringinternational.com

**World-wide Sales Agents
 for Deep Water Mooring
 and Single Point Mooring**