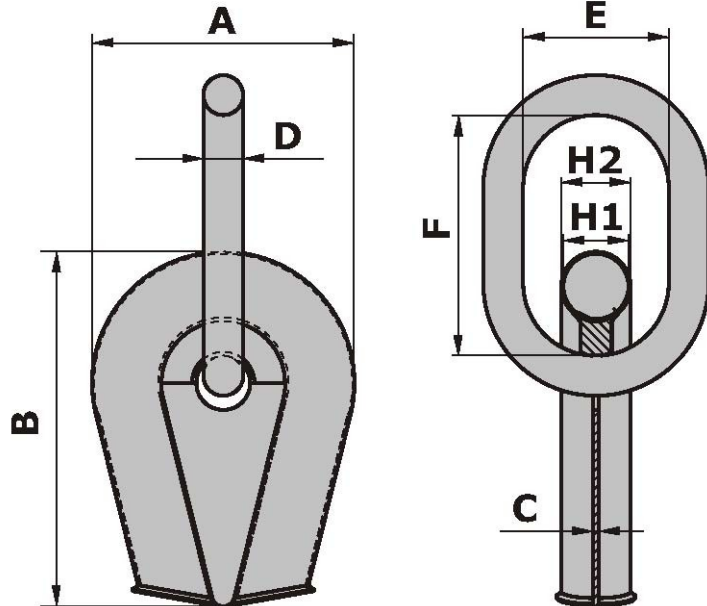
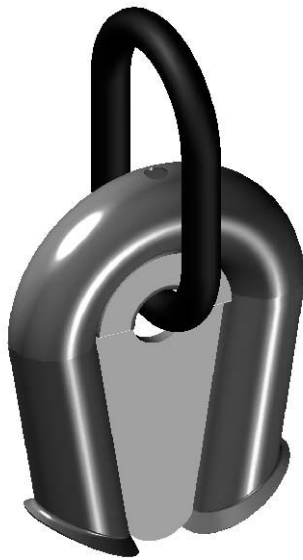




TUBULAR THIMBLE WITH LINK



Material: Mild Steel (Thimble) Finish: Painted
 High Alloy Steel (Link) Plastic coating on request

Rope Size Inch	A mm	B mm	C mm	H1 mm	H2 mm	D mm	E mm	F mm	MBL Link tons	Weight Kg
12"	521	680	20	130	140	63	230	430	232	82
	521	680	20	130	140	72	250	440	336	96
	521	680	20	130	140	80	250	450	420	115
15"	625	822	25	158	168	72	250	440	336	126
	625	822	25	158	168	80	250	450	420	142
	625	822	25	158	168	90	300	460	524	165
18"	727	978	30	183	194	80	250	450	420	202
	727	978	30	183	194	90	300	460	524	215
	727	978	30	183	194	100	300	500	628	235
21"	829	1155	30	206	219	90	300	460	524	255
	829	1155	30	206	219	100	300	500	628	283
	829	1155	30	206	219	125	400	650	1000	320
24"	930	1345	40	229	245	100	300	500	628	360
	930	1345	40	229	245	125	400	650	1000	420

Tolerance 5%



Offspring International Ltd
 Unit 8, Castle Court, Castlegate Way, Dudley, West Midlands, DY1 4RH. UK
 Tel: +44 1384 453880 / Fax: +44 1384 453888
 Email: mail@offspringinternational.com / Web: www.offspringinternational.com

World-wide Sales Agents for Deep Water Mooring and Single Point Mooring